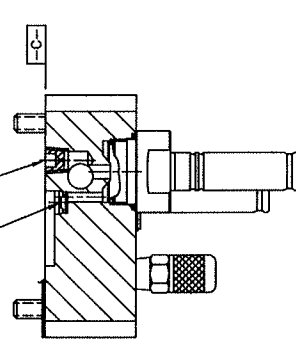


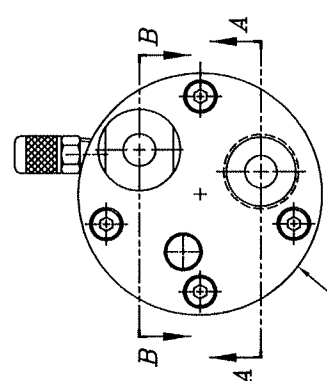
REV.	CDR NO.	DATE	CHANGES
0	370-0854	1/14/01	RELEASED
1	370-0864	KUSEK AUG 29 2000	A) NOTE 3 WAS APPLY OROZONAL (LOCITE 243) TO THE SUCTION STRAINER. B) ADDED NOTE 4 AND FIELD TARGETS.
2	370-0981	9/12/01	ADDED P/N 056246A2
3	370-0980	3/15/02	REMOVED P/N 056246A2
4	370-1030	1/25/06	ADDED SUCTION STRAINER, P/N SRA23

DO NOT SCALE
WORK TO DIMENSIONS SHOWN

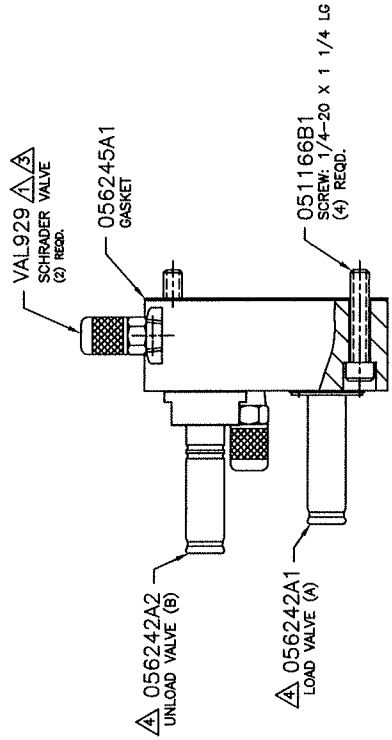
④ SRA23 SUCTION STRAINER UNLOADER CONTROL
056243A1 SUCTION ORIFICE MUST SIT BELOW SURFACE WHEN INSTALLED



SECTION B-B



056244A1 UNLOADER BODY



- Ⓐ TORQUE TO 150 IN. LB.
- Ⓐ APPLY LOCITE PER ASY-ES-10.
- 2 ASSEMBLE & TEST PER MP-30011-1.
- Ⓐ TORQUE PER ASY-ES-27.

SCALE		DRAWN BY	REVIEWED	COMPRESSOR LINE
FULL		KUSEK	KUSEK	MSC
PART NO.		REV.	DRAWING NUMBER	REV.
056246A1		2	CS-056246	SHEET 1 OF 1
PART NO.		REV.	DRAWING NUMBER	REV.
056246A1		2	CS-056246	4

COMPRESSORS
120 SOUTH STREET
WEST PALM BEACH, FLORIDA 33411-2200
PART NAME UNLOADER PAD ASSY

REF: RDX6775